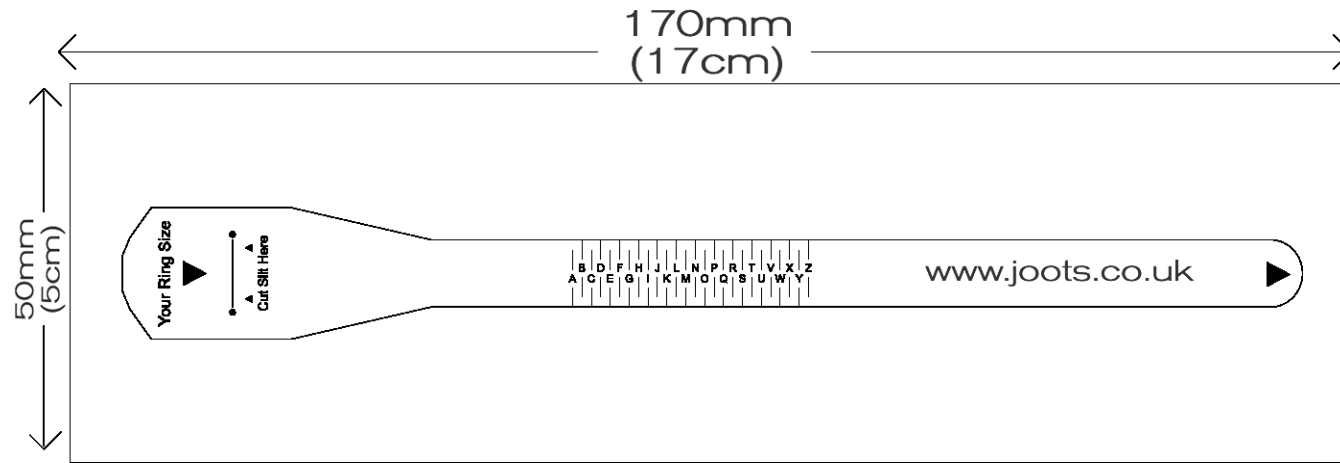
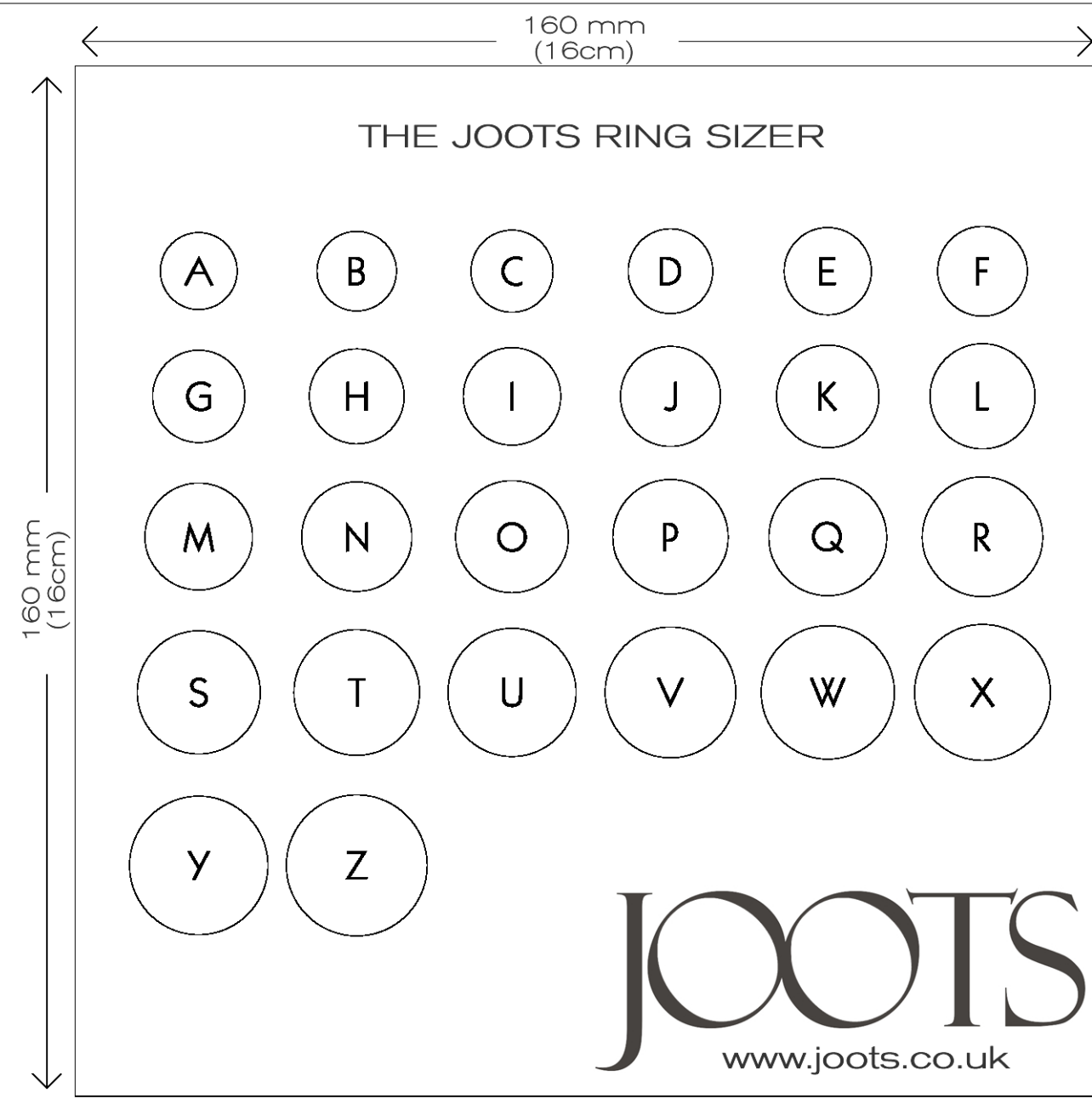


How to measure your ring size:

- 1) Print out this document. Do not select options such as 'shrink to page' or 'fit to page'.
- 2) Confirm that the box measurements below are correct.
- 3) Cut out the 'Ring Sizer' and create a slit where required below.
- 4) Wrap the 'Ring Sizer' around the desired finger. Adjust to a comfortable fit (enabling easy movement over the knuckle).





How to measure your ring size:

- 1) Print out this document. Do not select options such as 'shrink to page' or 'fit to page'.
- 2) Confirm that the box measurements opposite are correct.
- 3) Using an existing ring (which fits the desired finger). Place it upon the chart to find the correct ring size.